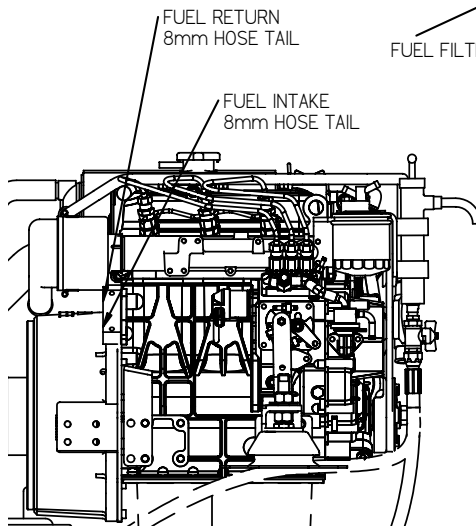
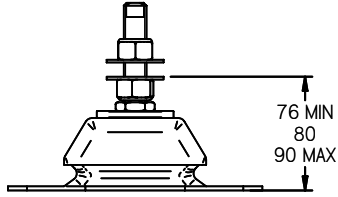
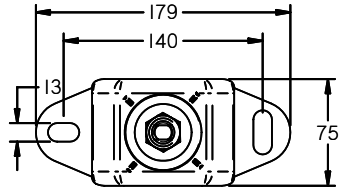
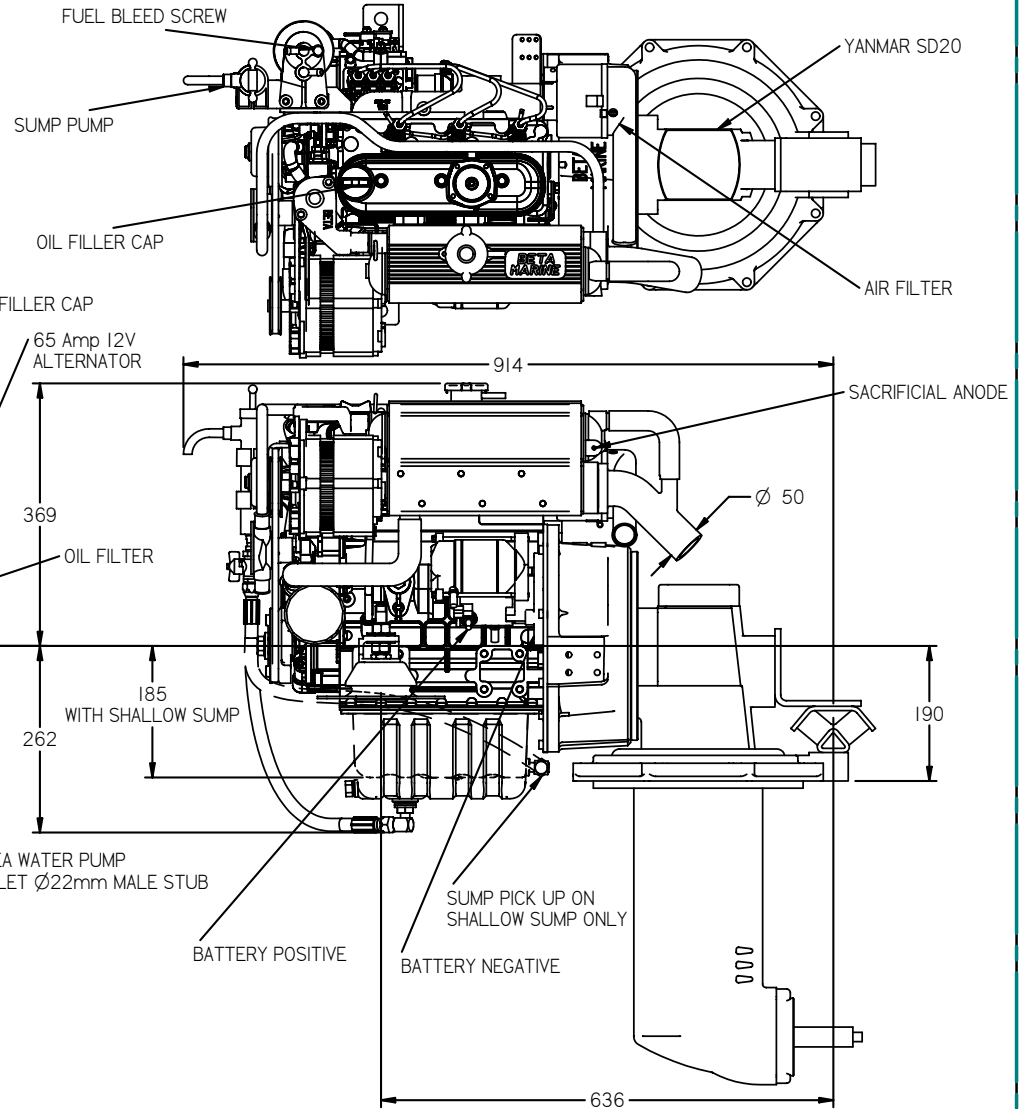
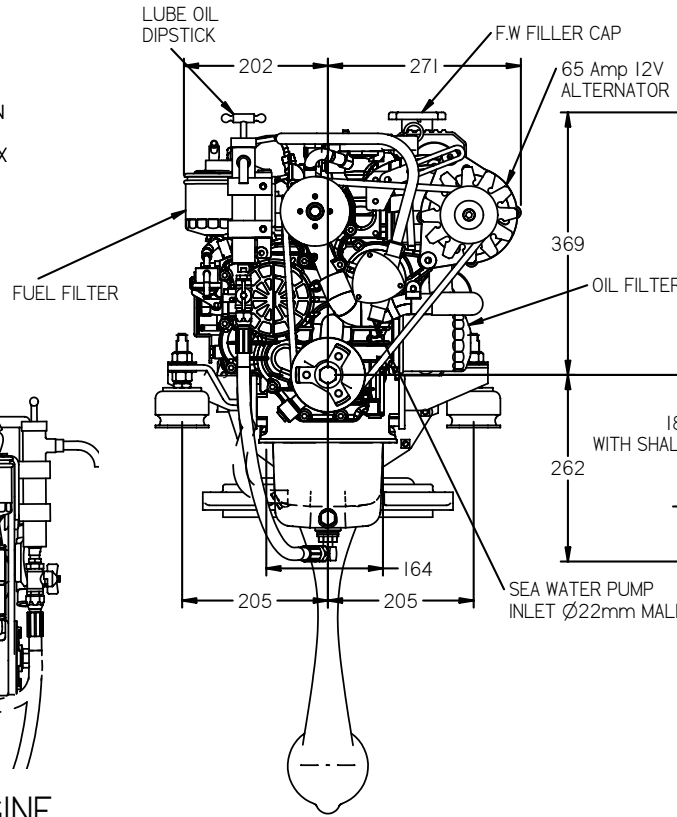


# FLEXIBLE MOUNT DETAILS



OTHER SIDE OF ENGINE



| REV | DESCRIPTION | DATE | APP'D | DRAWN | NOTES |
|-----|-------------|------|-------|-------|-------|
| 01  |             |      |       |       |       |
|     |             |      |       |       |       |
|     |             |      |       |       |       |
|     |             |      |       |       |       |
|     |             |      |       |       |       |
|     |             |      |       |       |       |
|     |             |      |       |       |       |
|     |             |      |       |       |       |
|     |             |      |       |       |       |
|     |             |      |       |       |       |

DIMENSIONS IN MM (INCH)  
 DO NOT SCALE

**BETA MARINE**  
 BETA MARINE LTD.  
 DAVY WAY,  
 WATERWELLS,  
 QUEDGELEY,  
 GLOUCESTER, GL2 2AD, UK  
 TEL: (01452) 723492 FAX: (01452) 729916

TITLE: **BD1005 HEAT EXCAHNGE  
 YANMAR SAILDRIVE**

DRAWN BY: timw  
 CHECKED BY: LT

SIZE: A4  
 SCALE: NTS

DWG NO: **100-07054**  
 PAGE: 1 of 1

REV: **00**  
 DATE: 03/04/2007